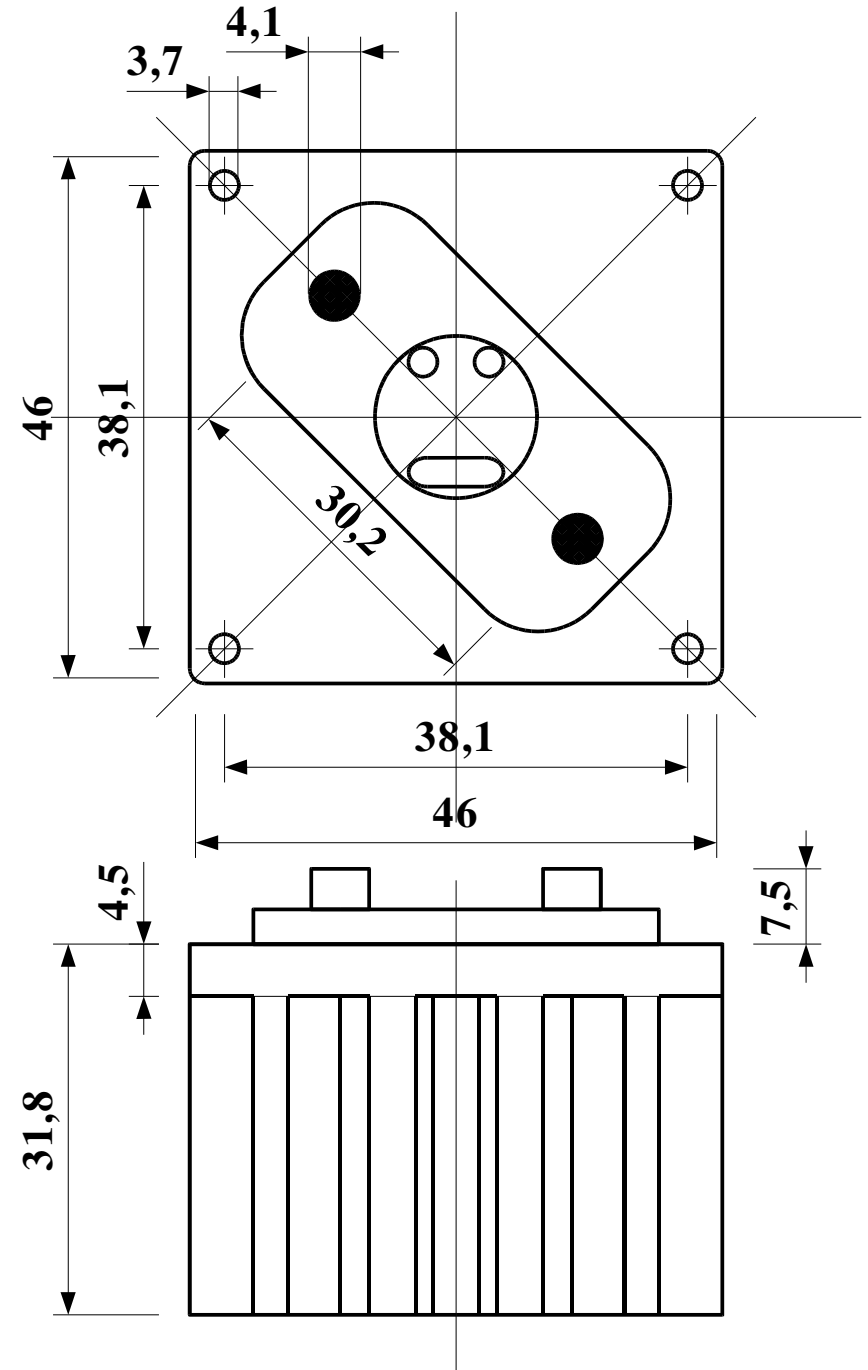


Heatsink for TO8



Heatsink ($R_w = 4.8 \text{ K/W}$) is designed for nanoplus TO8-header with TEC.



Nanosystems and
Technologies
GmbH

nanoplus

nanoplus GmbH

Nanosystems and Technologies
Oberer Kirschberg 4
D-97218 Gerbrunn
Germany

Phone: + 49-931-90827-0
Fax: + 49-931-90827-19
e-mail: info@nanoplus.com
web: www.nanoplus.com

Nanoplus reserves the right at any time without notice to change design and specifications